

# Aurora Flex RGB

## Channel Letter Solutions

"AURORA Flex RGB" has a continuous smooth light effect and a large spectrum of vibrant colours. It's available in "Domed"(bending horizontally)&"top view"(bending vertically) neon flex construction. The best alternative to neon lighting.



c **UL** <sup>®</sup> **US**  
E344189

**IP65**



### NEON SPECIFICATIONS

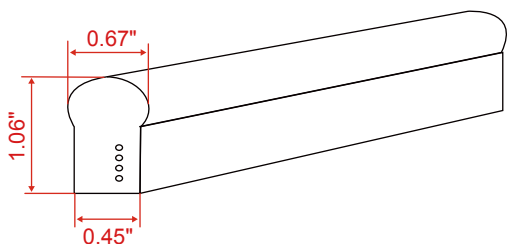
<b>Working mode</b>	Constant Voltage Technology
<b>Max Mods (Series)</b>	Full 88W load
<b>Viewing Angle</b>	270°
<b>CRI</b>	>70
<b>Operating Temp</b>	-20°C to +45°C
<b>Neon Dimension</b>	0.67"W x 1.06"H
<b>Optical Structure</b>	Eco-friendly flexible LED PVC tube with UV stabilizers.

<b>Packaging</b>	20Ft/Tray, 5Trays/Case
<b>Protection Grade</b>	IP65 wet-Location
<b>Certifications</b>	UL and cUL Recognized
<b>Warranty</b>	3 Years
<b>Vivid, uniform Neon-like lighting without dark spots or gaps in the tube.</b>	
<b>For use in place of exterior or interior border tubing, sign lettering, and accent lighting.</b>	

### NEON PRODUCT OPTIONS LIST

Neon	Voltage	Power	Cut Intervals	LED	LED Qty	Viewing Angle
Aurora Flex RGB	24VDC	4.4W/Ft	6.6"	SMD 5050	21LED/Ft	270°

### NEON DIMENSIONS



### ACCESSORIES



## G2G NEON RGB Controller

### RF 20 key LED RGB Controller

Controller adopts the advanced micro control unit, it is used for controlling a variety of LED light. For instance, point source of light, flexible light strip, wall washer lamp and so on. It has many advantages such as good appearance, easy connection and simplicity to use. Adopts RF 20 key remote control to ON/OFF, choose colors, change dynamic modes. Especially, it is designed with synchronization function. It is convenient to use RJ45 connector to connect the multiple controllers together, and achieve the synchronization function of thousands meters led strips. In theory, they can be connected numerous.



### Product Features:

- Designed for RGB constant voltage LED lights, Max.output:3\*8A.
- Working voltage DC12-24V, it can be universal in this range.
- Adopts PWM digital technology, signal frequency: 400Hz.
- Multiple controllers can work synchronically when connected by network cable through the RJ45 connector, the network cable between 2 ports up to 80 meters.
- RF 20-key wireless remote, RF frequency: 433.92MHz.
- 14 modes in total, including 8 static colors and 6 dynamic changes.
- Warranty of this product is 2 year warranty, exclude the artificial situation of damaged or overload working.

## Technical Parameters

### Controller

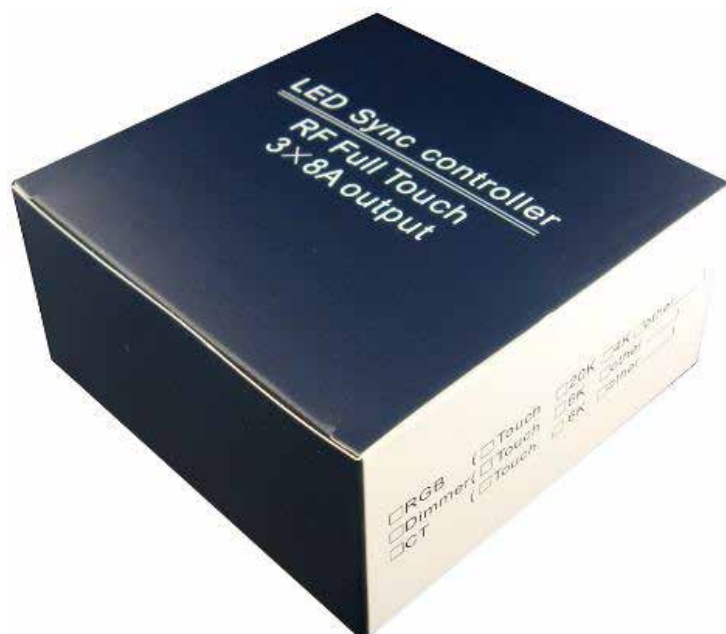
Working temperature	-20-60°C	Supply voltage	DC12V-24V
Static power consumption	<1W	Connecting mode	common anode
Grayscale	256 levels (RGB each)	Speed stage	100 grade
External dimension	L91*W88*H24 mm	Packing size	L108*W108*H50 mm
Net weight	220g	Gross weight	255g
Output	3 channels	Output current	≤8A(each channel)
Mode	14	Remote distance	Up to 20M
PWM frequency	433.92Mhz	Memory function	support
Max. Output power	12V:<288W, 24V:<576W		

### Remote control

Working temperature	-20°C~60°C	Supply voltage	DC3V (CR2025)
Standby current	<3.3uA	Working current	<12mA
Standby power	9.9uW	Working power	36mW
Net weight	30g	RF frequency	433.92MHz
External dimension	L85*W51*H6mm	RF distance	≤20m

### External Dimension

Packing box: L108\*W108\*H50 mm



## Interface Specifications



RGB Connection: V+→COM、CH1→R、CH2→G、CH3→B.

## Direction for use

- Connect the load wire and sync-signal cable at first, following by the power wire.
- Ensure short circuit can not occur before you turn on the power.
- Adopt RF wireless remote control, 20 keys in total, function of each button as below:



Brightness +	Brightness -	pause	on/off
Static red	Static green	Static blue	Static white
Static orange	Static yellow	Static cyan	Static purple
Auto run	three base color jumpy	Three color gradually change	speed +
Flash	seven base color jumpy	Seven color gradually change	speed-

## RF CODE

Receiver can be controlled by any one the same remote as factory default; remote control delivered with unique RF code as factory default; if unique-control is needed, please matching the code before installation and using.

### Matching code operation

Receiver and Remote Control are coded as default, matching them before using,if unique-control or new-coded-remote is needed, pairing the remote and the receiver as below operation instruction before using:

- 1.**Step 1:** Pressing key “FLASH” and hold on, power on the controller, the load LEDs will be 50% brightness white as responding.
- 2.**Step 2:** Pressing “FLASH” 3times in 3 seconds , corresponding to the operation, the LED’ s brightness will change as 25%-10%-back to preset level.
- 3.Code learning successfully, the receiver only can be controlled by the remote.
- 4.If not, please re-operate from step 1 to 2.

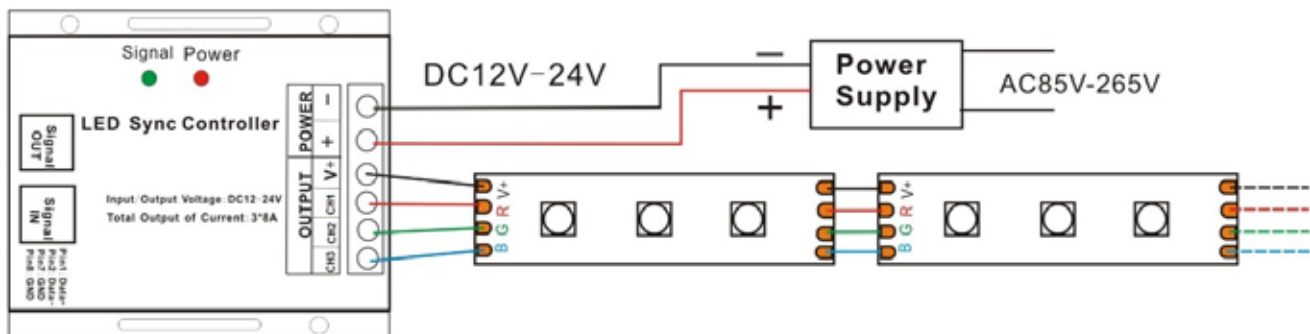
### Clear code operation

Back to factory default, wall-panel can be controlled by any one the same remote control.

- 1.**Step 1:** Pressing key “JUMP7” and hold on, power on the controller, the load LEDs will be 50% brightness white as responding.
- 2.**Step 2:** Pressing “JUMP7” 3times in 3 seconds ,corresponding to the operation, the LED’s brightness will change as 25%-10%-back to preset level.
3. Code clearing successfully, the LEDs will be back to the status before the power off, and the receiver can be controlled by any remote control(any one the same remote control can be used to clear the code).
- 4.If not, please re-operate from step 1 to 2.

## Typical Applications

Application Circuit 1:



Application Circuit 2: (Synchronization function with network Line )

