

24
VDC

10
YEAR
Product & Labor
WARRANTY

We Brighten Your Brands



wensco
800.253.1569 | wensco.com



VIACOM



SloanLED Prism²⁴

Premium 24V channel letter
lighting solution



SloanLED[®]
Leaders in LED Technology

10
YEAR
 Product & Labor
WARRANTY

Powerful. Efficient. Brilliant.



The SloanLED Prism24 family is a complete, premium, 24 VDC LED lighting solution for small, low-profile, standard, and large channel letters. Featuring dual-die technology for over double the square footage of illumination, and higher efficacy over the existing 12 VDC version, this powerful suite of channel letter lighting products is designed to give sign makers the widest, most even spread of illumination, broadening spacing between rows, and properly dispersing the light to avoid hot spots in any application.



SloanLED Prism²⁴ Standard
 White (7100 K, 6500 K, 5000 K, 4000 K, 3000 K),
 Red, Green, and Blue

SloanLED Prism²⁴ LP
 White (7100 K, 6500 K, 5000 K, 4000 K, 3000 K)

SloanLED Prism²⁴ High Output
 6500 K, 5000 K

Versatile mounting options

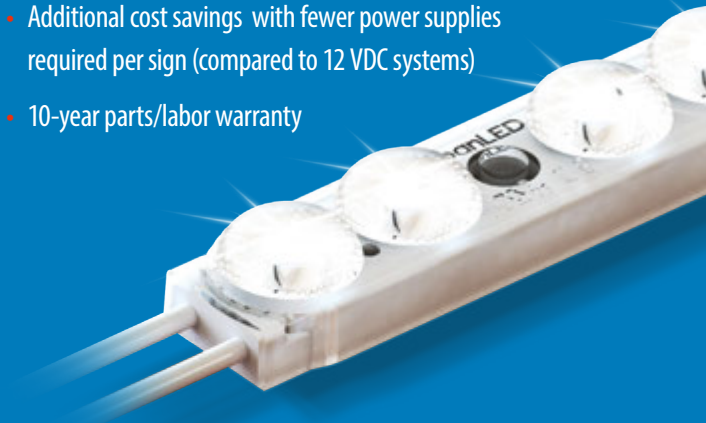
Constant Current circuit design reduces light loss over long runs

Ideal lens shape for illuminating channel letters

MacAdam Ellipse 3-Step white binning



- Available in Standard (White [7100 K, 6500 K, 5000 K, 4000 K, 3000 K], Red, Green, and Blue, High Output (White 6500 K, 5000 K), and LP (White [7100 K, 6500 K, 5000 K, 4000 K, 3000 K])
- Load 86 linear feet (26 m) / 104 modules on a single 100 W 24 VDC power supply
- Fewer modules per foot (1.2/ft [3.9/m]) for fast installation time and lower labor costs
- Additional cost savings with fewer power supplies required per sign (compared to 12 VDC systems)
- 10-year parts/labor warranty



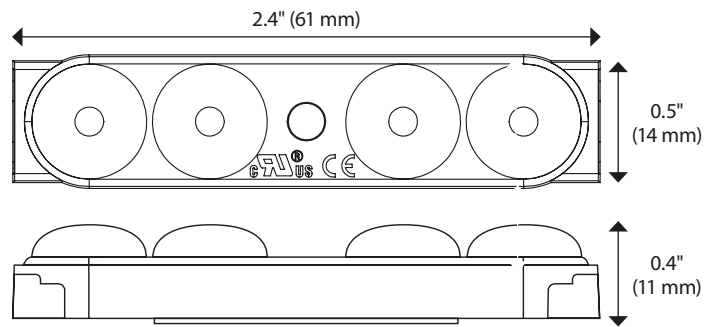
The complete solution for all your lighting needs.

SloanLED channel letter LED lighting products are designed for the whole spectrum of channel letter applications, including face and halo lit, shallow to deep can depths, and routed acrylic letters.

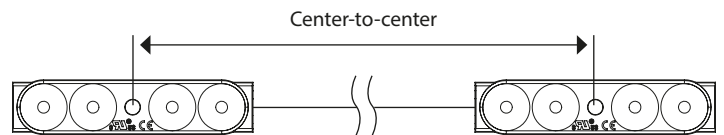
SloanLED Prism ²⁴ Premium 24V channel letter lighting solution			
MODS/FT(M)	COLORS	LUMENS/MOD	EFFICACY
SloanLED Prism²⁴ Mini			
2.5/ft (8.2/m)	White (7100 K, 6500 K, 5000 K, 4000 K, 3000 K), Red, Green, and Blue	40	100 lm/W
SloanLED Prism²⁴			
1.2/ft (3.9/m)	White (7100 K, 6500 K, 5000 K, 4000 K, 3000 K), Red, Green, and Blue	Up to 138	Up to 160 lm/W
SloanLED Prism²⁴ LP			
1.5/ft (4.9/m)	White (7100 K, 6500 K, 5000 K, 4000 K, 3000 K)	70	162 lm/W
SloanLED Prism²⁴ HO			
0.8/ft (2.6/m)	White (6500 K, 5000 K)	180	150 lm/W

For more information on our Channel Letter collection of products, visit SloanLED.com.

SloanLED Prism²⁴ Standard, HO, and LP



Wire spacing



SloanLED Prism²⁴ Standard Whites: 10.00" (254 mm) ± 0.13" (3.3 mm)

SloanLED Prism²⁴ Standard Colors: 8.00" (203 mm) ± 0.13" (3.3 mm)

SloanLED Prism²⁴ LP: 8.00" (203 mm) ± 0.13" (3.3 mm)

SloanLED Prism²⁴ HO (High Output): 15.00" (381 mm) ± 0.13" (3.3 mm)

We're on a power trip.

Constant Current Technology (CCT) is at the heart of SloanLED's product offering, and forms the backbone of SloanLED channel letter products. We introduced CCT to the industry to maintain consistent current levels, eliminating the line loss and voltage drop issues common in many LED lighting systems. CCT provides uniform light output throughout the entire installation, while also preventing damage from overdriving of the LEDs.

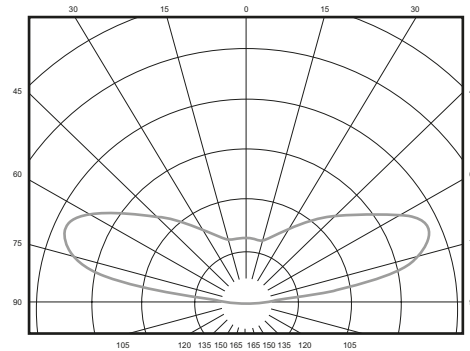
There's no substitute for quality.

Other LED manufacturers use cheaper components and maximize the potential brightness of their products at the expense of longevity; overdriving the LEDs for instant gratification while sacrificing sustainability and endurance. SloanLED uses the highest caliber components in order to offer you a superior product with the longest lifespan.

Specifications

- LEDs per module** *Standard, HO, LP* 4
- Operating temperature** -40° C to +70° C
- Optional dimming** PWM (Pulse width modulation, SloanLED Universal LED Wireless Dimmer 601115)
- Binning** MacAdam Step 3
- Protection class** IP66 & IP68*
- Life rating** >60,000 hours
- Fastening** Peel-n-stick and mechanical

Luminous Intensity Distribution



Whites

Model	Modules per ft/m	Color temperature	Part number	Optimal can depth	Power per module	Lumens per module (nominal)	Efficacy	Packaging
Standard	1.2/ft (3.9/m)	7100 K	701269-7W24SJ1-MB	3-8" (75-200 mm)	0.86 W	138	160 lm/W	43.3 ft / 13.2 m (52 modules) per bag, 5 bags per carton
		6500 K	701269-6W24SJ1-MB					
		5000 K	701269-5W24SJ1-MB					
		4000 K	701269-4W24SJ1-MB					
		3000 K	701269-3W24SJ1-MB					
High Output	0.8/ft (2.6/m)	6500 K	701269-6W24HJ3-MB	5-12" (127-305 mm)	1.20 W	180	150 lm/W	47.5 ft / 14.5 m (38 modules) per bag, 5 bags per carton
		5000 K	701269-5W24HJ3-MB					
LP	1.5/ft (4.9/m)	7100 K	701269-7W24LJ1-MB	3-8" (75-200 mm)	0.43 W	70	162 lm/W	34.7 ft / 10.6 m (52 modules) per bag, 5 bags per carton
		6500 K	701269-6W24LJ1-MB					
		5000 K	701269-5W24LJ1-MB					
		4000 K	701269-4W24LJ1-MB					
		3000 K	701269-3W24LJ1-MB					

Colors

Model	Modules per ft/m	Color	Nominal wavelength	Part number	Optimal can depth	Power per module	Lumens per module (nominal)	Efficacy	Packaging
Standard	1.5/ft (4.9/m)	Red	623 nm	701269-RD24SJ1-MB	3-8" (75-200 mm)	0.43 W	26	60 lm/W	34.7 ft / 10.6 m (52 modules) per bag, 5 bags per carton
		Green	527 nm	701269-GR24SJ1-MB			50	116 lm/W	
		Blue	468 nm	701269-BL24SJ1-MB			16	22 lm/W	

Power Supply Capacity

24 VDC Power supply†	SloanLED Prism ²⁴				SloanLED Prism ²⁴ HO	SloanLED Prism ²⁴ LP
	7100 K, 6500 K, 5000 K, 4000 K, 3000 K	Red	Green	Blue	6500 K, 5000 K	7100 K, 6500 K, 5000 K, 4000 K, 3000 K
100 W Power supply	86.7 ft (26.4 m) / 104 mods	138.7 ft (42.3 m) / 208 mods	111.3 ft (33.9 m) / 167 mods	101.3 ft (30.9 m) / 152 mods	93.8 ft (28.5 m) / 75 mods	138.7 ft (42.3 m) / 208 mods
300 W Power Supply	3 × 86.7 ft (26.4 m) / 104 mods	3 × 138.7 ft (42.3 m) / 208 mods	3 × 111.3 ft (33.9 m) / 167 mods	3 × 101.3 ft (30.9 m) / 152 mods	3 × 93.8 ft (28.5 m) / 75 mods	3 × 138.7 ft (42.3 m) / 208 mods

* SloanLED Prism²⁴ IP68 test parameters are 1.3 m submersion for 30 minutes. Do not mount in submerged application or where module will be directly exposed to prolonged flowing or dripping water.
 † Configured for Class 2 Output.

SloanLED channel letter products are covered by US and foreign patents pending and covered by one or more of the following US patents issued: 6,932,495, 7,241,031, 7,520,771.

SloanLED Headquarters
 5725 Olivas Park Drive, Ventura, CA, USA
 805.676.3200 • info@SloanLED.com

SloanLED Europe b.v.
 Argonstraat 110, 2718 SN Zoetermeer, NL
 +31 88 12 44 900 • europe@SloanLED.com



SloanLED.com

© 2022 SloanLED Rev B 2022-01-19



Specifications subject to change without notice.

