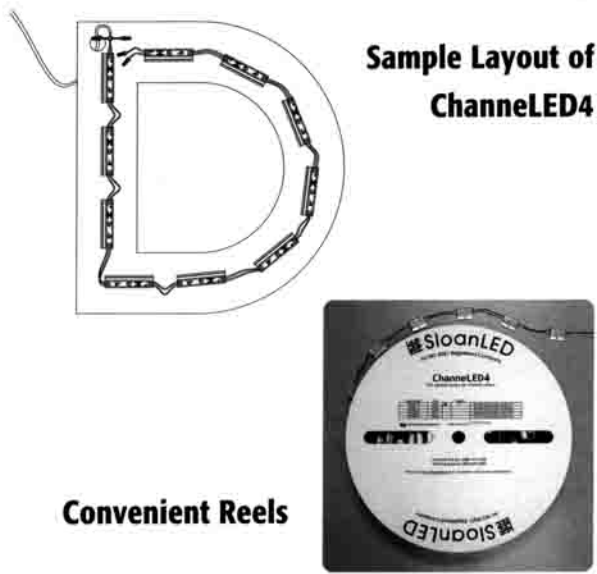


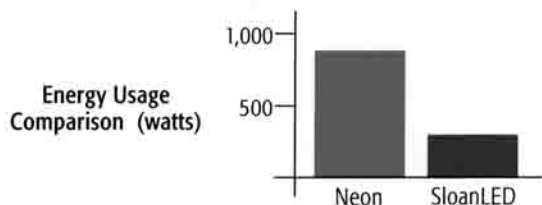
SloanLED ChanneLED4



Sample Layout of ChanneLED4

Convenient Reels

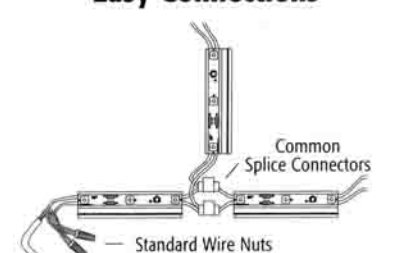
The LED Advantage: Low Energy, Low Voltage, Long Life & No Breakage.



Power Comparison

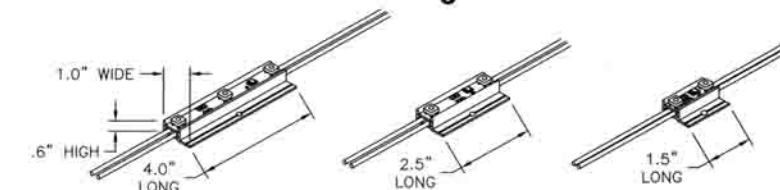
	Neon 15mm Red, 12kV 30mA Transformer	SloanLED Red - Long ChanneLED4
Power usage per foot	4.2 watts	1.2 watts
Nominal installation (feet)	200	180
X Power consumption (watts/ft)	4.2	1.2
Total Power consumption (watts)	840	216
Power savings		74%

Easy Connections



Common Splice Connectors
Standard Wire Nuts

LED Configurations



1.0" WIDE
.6" HIGH
4.0" LONG
2.5" LONG
1.5" LONG

ChanneLED4-Long Red 701269-RL-CC Amber 701269-YL-CC	ChanneLED4-Cool Blue 701269-B-CC Green 701269-G-CC	ChanneLED4-Short Red 701269-RS-CC Amber 701269-YS-CC
---	--	--

Technical Specs	Warm Colors - 4" (Long)	Warm Colors - 1.5" (Short)	Cool Colors - 2.5"
Colors:	Red and Amber	Red and Amber	Green, Blue
LED Type:	High Flux, Ultra Bright, AllnGap	High Flux, Ultra Bright, AllnGap	Ultra Bright, InGan
LEDs Per Foot:	6 (3 LEDs per module, 2 modules per ft.)	6 (2 LEDs per module, 3 modules per ft.)	6 (2 LEDs per module, 3 modules per ft.)
Power Usage:	< 1.2 watts per foot	< 1.8 watts per foot	< 1.3 watts per foot
Power Supply:	SloanLED UL Class 2	SloanLED UL Class 2	SloanLED UL Class 2
System Voltage:	12 V DC	12 V DC	12 V DC
Limited Warranty:	Up to 5 years	Up to 5 years	Up to 3 years

UL ChanneLED4 is UL Recognized

Item	P. N.	Contents
Red-Long	701269-RL-CC	Reel of 60 Modules
Red-Short	701269-RS-CC	Reel of 60 Modules
Amber-Long	701269-YL-CC	Reel of 60 Modules
Amber-Short	701269-YS-CC	Reel of 60 Modules
Green	701269-G-CC	Reel of 90 Modules
Blue	701269-B-CC	Reel of 90 Modules

Wire Nuts
701573

Splice Connector
701574

Technical and Installation Support

- Online product, technical and installation information at www.SloanLED.com
- Installation training and assistance
- Thorough installation manual
- Toll free technical help desk 888.747.4LED
- Sign layout service



888.747.4LED
Phone: 805.676.3200
Fax: 805.676.3206
Email: info@SloanLED.com
www.SloanLED.com

SloanLED – An ISO 9001 Registered Company
Ventura, CA · Basel, Switzerland · Taipei, Taiwan