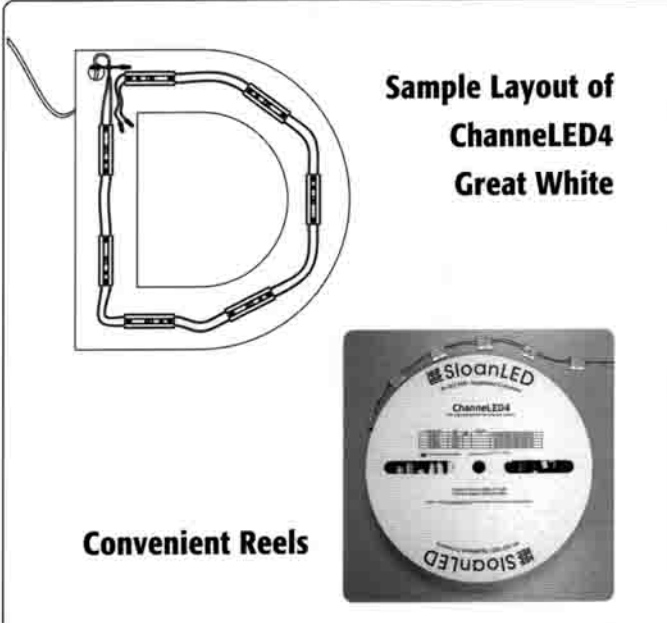


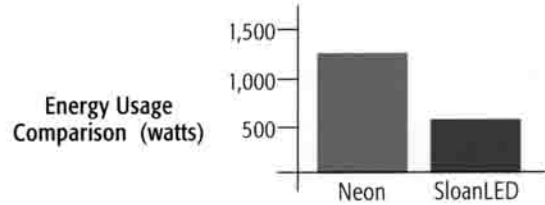
SloanLED ChannelLED4 Great White



Sample Layout of ChannelLED4 Great White

Convenient Reels

The LED Advantage: Low Energy, Low Voltage, Long Life & No Breakage.



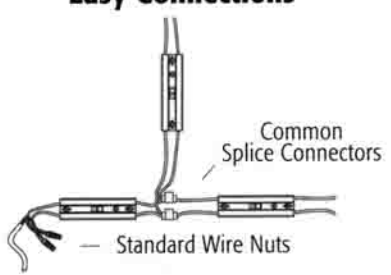
Power Comparison

	Neon 15mm White, 12kV 30mA Transformer	SloanLED ChannelLED4 Great White (1 Module/ft)
Power usage per foot	6.5 watts	3.5 watts
Nominal installation (feet)	200	180
X Power consumption (watts/ft)	6.5	3.5
Total Power consumption (watts)	1300	630

Power savings

52%

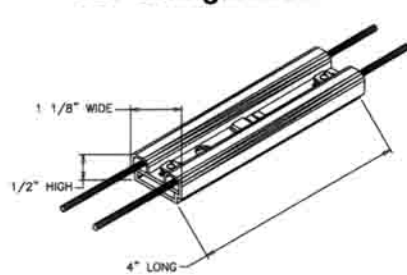
Easy Connections



Common Splice Connectors

Standard Wire Nuts

LED Configuration



1 1/8" WIDE

1/2" HIGH

4" LONG

Modules may be spaced from 1 to 1.5 modules per foot to achieve desired results

Technical Specs	Great White - 4"
Color:	White
LED Type:	High Power, Ultra Bright
LEDs Per Module:	2 (1 - 1.5 modules per ft.)
Power Usage:	3.5 watts per module
Power Supply:	SloanLED UL Class 2
System Voltage:	12 V DC
Limited Warranty:	Up to 3 years

UL Recognized

Item	P. N.	Contents
Great White	701269-WL-CC	Reel of 12 Modules
Wire Nuts	701573	
Splice Connector	701574	

- Technical and Installation Support**
- Online product, technical and installation information at www.SloanLED.com
 - Installation training and assistance
 - Thorough installation manual
 - Toll free technical help desk 888.747.4LED
 - Sign layout service

Available At:



888.747.4LED
 Phone: 805.676.3200
 Fax: 805.676.3206
 Email: info@SloanLED.com
www.SloanLED.com

SloanLED – An ISO 9001 Registered Company
 Ventura, CA · Basel, Switzerland · Taipei, Taiwan