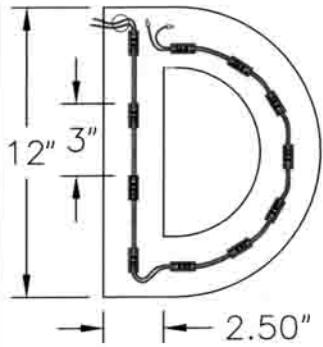



# SloanLED ChanneLED4 MiniWhite

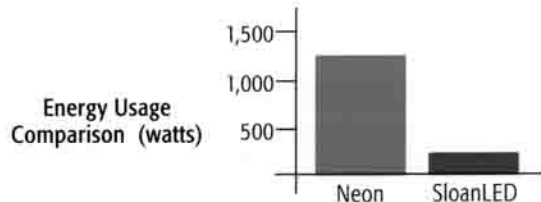


**Sample Layout of ChanneLED4 MiniWhite**



**Convenient Reels**

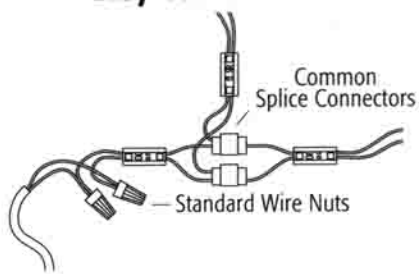
**The LED Advantage: Low Energy, Low Voltage, Long Life & No Breakage.**



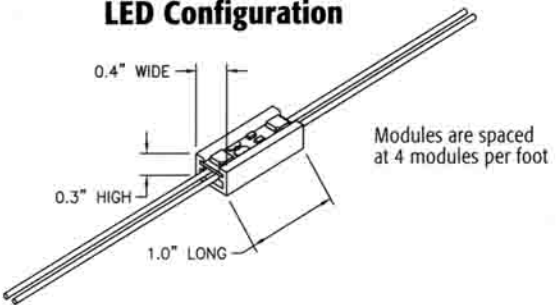
## Power Comparison

	Neon 15mm White, 12kV 30mA Transformer	SloanLED ChanneLED4 MiniWhite
Power usage per foot	6.5 watts	1.4 watts
Nominal installation (feet)	200	180
X Power consumption (watts/ft)	6.5	1.4
Total Power consumption (watts)	1300	252
<b>Power savings</b>		<b>81%</b>

### Easy Connections



### LED Configuration



Technical Specs	MiniWhite
Color:	White
LED Type:	InGaN, wide viewing angle
LEDs Per Foot:	8 (2 LEDs per module, 4 modules per foot)
Power Usage:	<1.4 Watts per foot
Power Supply:	SloanLED UL Class 2
System Voltage:	12 V DC
Limited Warranty:	Up to 3 years

**ChanneLED4 MiniWhite is UL Recognized**

Item	P. N.	Contents
MiniWhite	701269-WT-CC	Reel of 120 Modules
Wire Nuts	701466	
Splice Connector	701467	

- ### Technical and Installation Support
- Online product, technical and installation information at [www.SloanLED.com](http://www.SloanLED.com)
  - Installation training and assistance
  - Thorough installation manual
  - Toll free technical help desk 888.747.4LED
  - Sign layout service

**Available At:**



888.747.4LED  
 Phone: 805.676.3200  
 Fax: 805.676.3206  
 Email: [info@SloanLED.com](mailto:info@SloanLED.com)  
[www.SloanLED.com](http://www.SloanLED.com)

SloanLED – An ISO 9001 Registered Company  
 Ventura, CA · Basel, Switzerland · Taipei, Taiwan

Patent Pending © SloanLED 2004 000506-DS #CL-MW-1004