

Plastic Universal 60W Power Supply



PART

UL Part Number	Ordering Part Number
PL-60-12-PCM-U	P-OH060-12-PL-P

FEATURES

- Economical
- Smaller footprint
- Easy to ground
- Load to 100% of capacity
- Multi-volt 100-277 VAC

PERFORMANCE

Input Voltage	100~277 VAC
Input Current	1.1A~0.45A
Input Frequency	47~63Hz
Power Factor	Normal
Output Voltage	DC12V \pm 3%
Output Current	0-5.0A
Output Power	60W Max.

SAFETY

Over Current Protection	110~120%
Short Circuit Protection	Hiccup mode, auto recover
Other Protection	Over Voltage/Over Load/Short Circuit
UL	UL879 / UL8750 CSA C22.2 NO. 207-M89
CE-LVD	EN61347-1:2008+A1:2011+A2:2013 EN61347-2-13:2014

PHYSICAL

Length	6.54" (166mm)
Width	1.73" (44mm)
Height	1.34" (34mm)
Mounting Length	7.32" (186mm)
Weight	0.95lbs (430g)
Lead Lengths	SVT Cable 8.66" \pm 0.39" (220mm \pm 10mm)

ENVIRONMENTAL

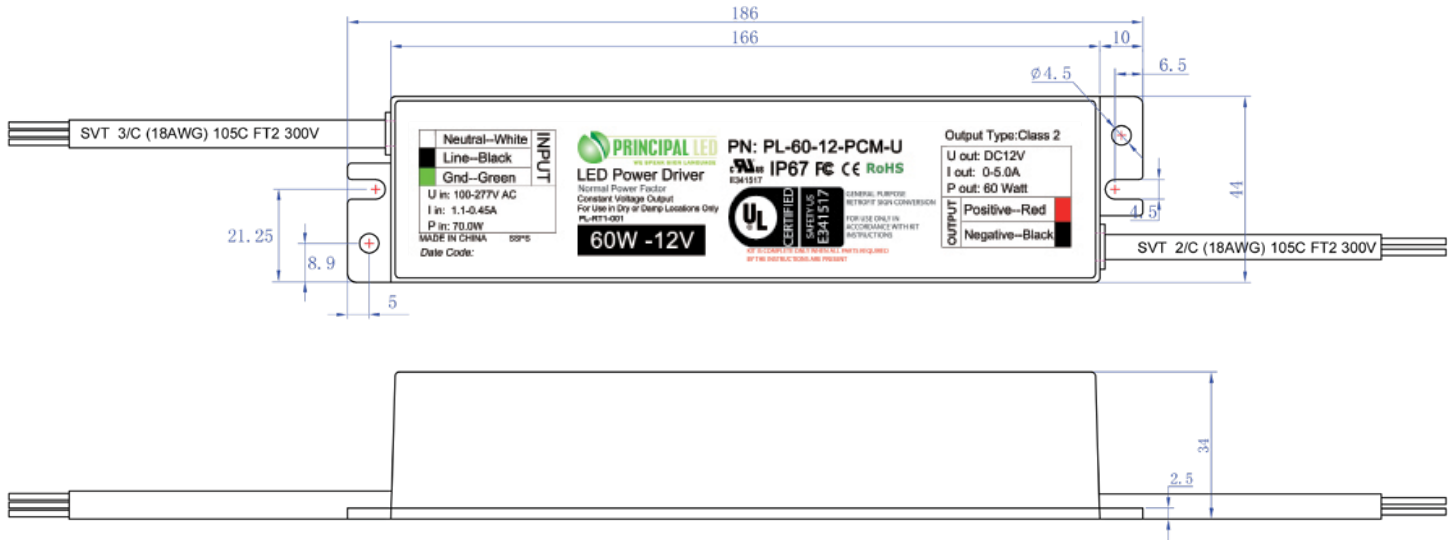
CE-EMC	EN55015, EN61527, EN61000
FCC	FCC 47 CFR PART 15, CLASS B
IP Rating	1P67
Operating Temperature	-30°C to 60°C (-22°F to 140°F)
Storage Temperature	-40°C to 85°C (-40°F to 185°F)
Relative Humidity	20 to \pm 90% RH non cond.

ORDERING GUIDE

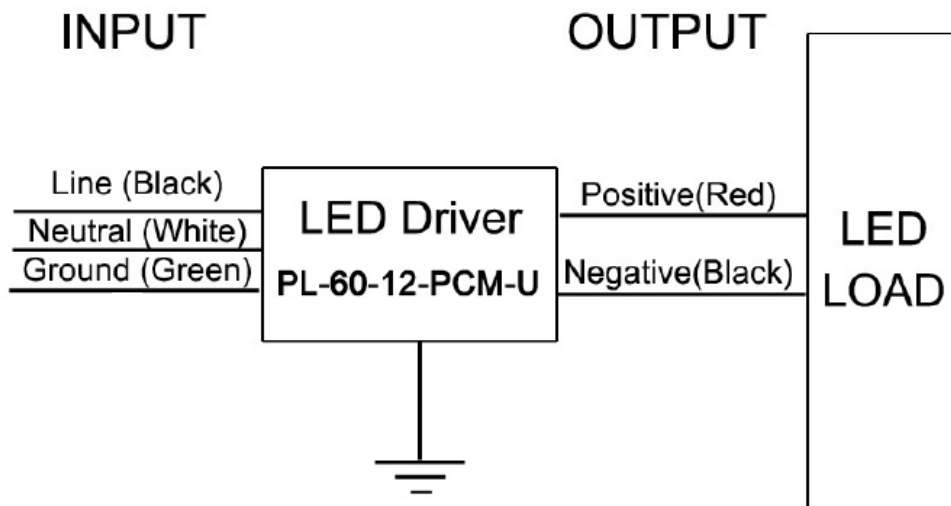
P	O	H	060	12	PL	P
Power Supplies	Outdoor, Direct-wire	100-277 VAC	Max. 60W	12VDC Output	Principal LED Power Supply	PCM



MECHANICAL OUTLINE:



WIRING DIAGRAM:



www.p-led.com
 (325) 227-4577
 3490 Venture Drive, San Angelo, Texas 76905
info@p-led.com

