

**DUO**



170°  
OPTICS



**CORE APPLICATIONS:**

- CHANNEL LETTERS
  - > STANDARD | SHALLOW | WIDE
- ACCENT & COVE LIGHTING
- SHALLOW CABINET / BOX SIGNS



**YOUR EVERYDAY WORKHORSE**

**L 70**  
5+  
years  
**LIFESPAN**

**7P/7L**  
WARRANTY

**IP67**  
DRY / DAMP / WET

**-40°**  
~  
**140°**  
OPERATING  
TEMPERATURE

**TOTAL SYSTEM**  
\$

**MECHANICAL**  
FASTENING

**EASY PEEL**  
3M  
VHB  
LINER

**CCT RANGE**  
SINGLE BIN

**TRU**  
CONSTANT  
CURRENT

**Technical Specifications**

Product Code	Temps / Colors	Lumen per Mod	Efficiency	Lumens Per Foot	Modules Per Foot	Power per Module / Foot	# Mods / Feet Per 60w Power Supply	Max. Serial Connection	Mods/Feet Per Bag
U2-12V.6W7.1K	7100K	93	155 Lm/W	157	1.69	0.60 W {1.0 W ft.}	100 Mods {59 feet}	40 mods {23 feet}	80 Mods {47 feet}
U2-12V.6W6.5K	6500K	93	155 Lm/W	157	1.69				
U2-12V.6W4.0K	4000K	93	155 Lm/W	157	1.69				
U2-12V.6W3.0K	3000K	93	155 Lm/W	157	1.69				

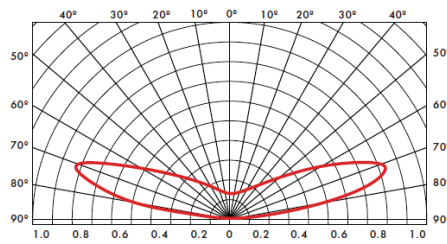
**Note:** Custom Kelvin Temperatures Available Upon Request

**Spacing & Usage Chart**

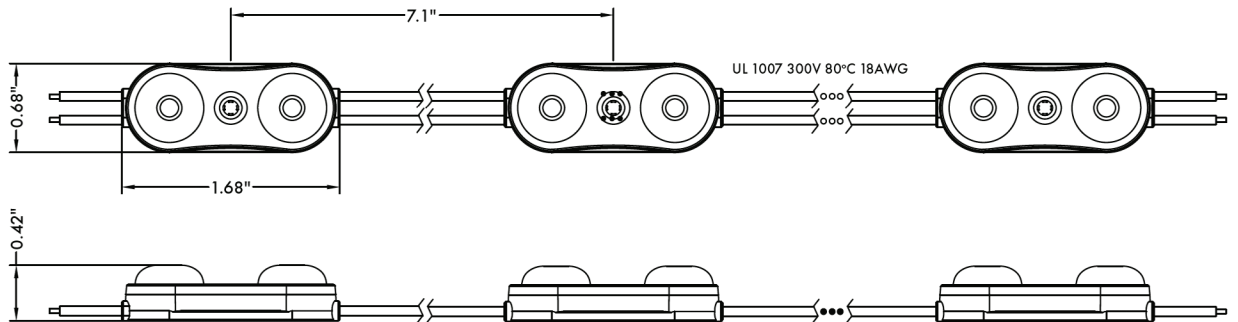
Channel / Sign Depth	2"	3"	4"	5"
Single Row Spacing - Max Stoke	*	10"	12"	14"
Multiple Row Spacing	*	8"	10"	12"

**Notes:** Product and depth may vary depending on face material and desired brightness. Testing conducted using 7328 acrylic. \* Performs well at this depth if you decrease module spacing.

**Light Beam Pattern**



**170° Lens**



800.253.1569 | wensco.com