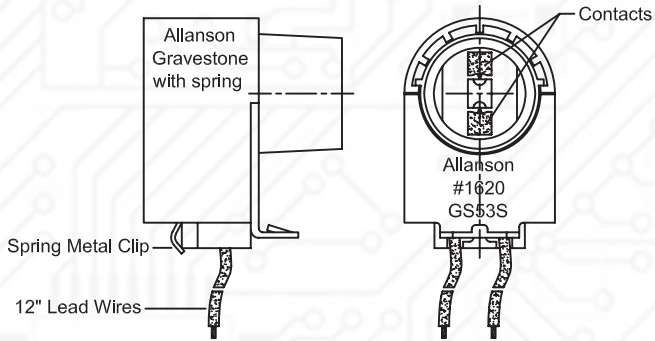
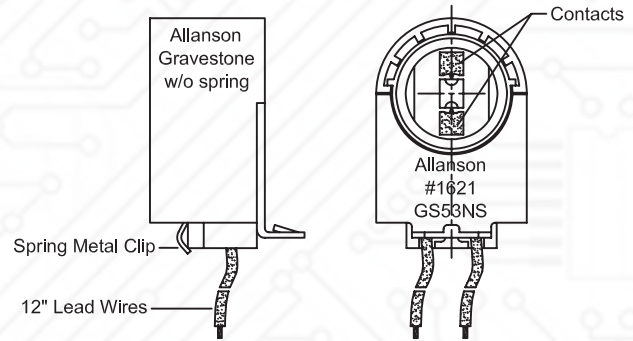


Tombstone Lamp Holders

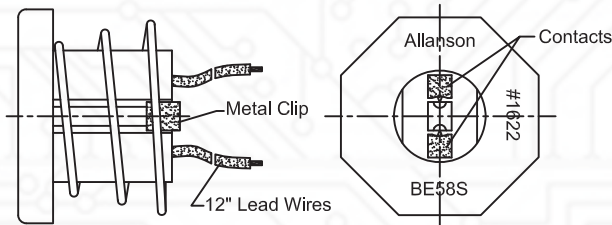


**Part#1620 with spring
Vertical Contacts**

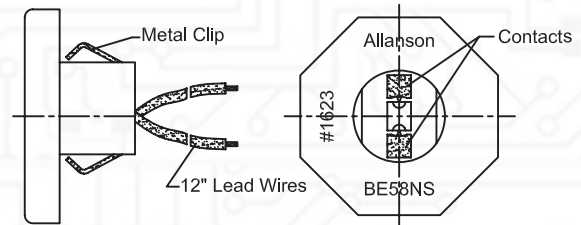


**Part#1621 w/o spring
Vertical Contacts**

Flush Mount Lamp Holders



**Part#1622
Vertical Contacts**



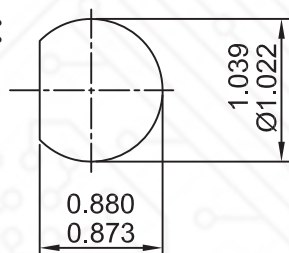
**Part#1623
Vertical Contacts**

Lamp holder Ratings: 660W, 600V / 1000V rating

Materials: GE® resins, Ni plated steels, stainless steels, “O” ring, and tin bronze contacts were used in the manufacturing of Allanson lamp holders. The 12” lead assemblies are stranded 18AWG tinned copper and have 1015/1032 UL ratings 221°F (105°C) and 1000V.

Mounting: High strength metal retaining clips ensure solid hold when installed per specifications.

Mounting “D” Hole:



cULus listed.
UL listed for use
in U.S.A and Canada.

