



# ROCK-IT™ SIGN STAND

Rock It Back & Roll



## PORTABLE SIGN POSTS WITH PLASTIC BASES

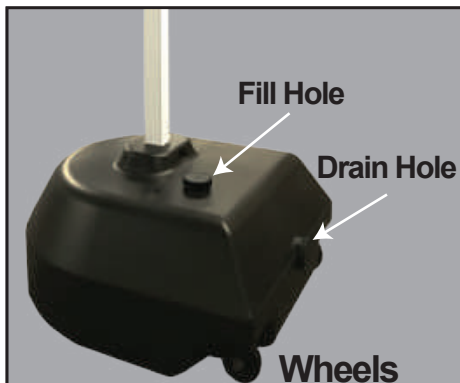
- Durable, thick walled plastic bases in two sizes, 18" W and 24" W
  - won't chip, crack, or crumble like concrete
  - available in black
  - custom colors with minimum order quantity
- Square plastic Power Post™ makes attaching signs easy
  - two lengths: 60"L and 72"L
  - two post colors: white and black
  - lightweight and impact resistant
  - no sign twisting which can occur with round poles
  - will never rust or need painting
  - pre-drilled holes for multiple sign sizes
  - mounting hardware included
- Rock it back and roll
  - recessed wheels make stands easy to move when weighted
  - sturdy plastic wheels come pre-installed
- Withstands strong winds without tipping over when filled with sand
- Conveniently placed large fill hole and drain hole
- Lightweight plastic reduces shipping costs
- Made in the U.S.A.



ROCK-IT™ 18



ROCK-IT™ 24



800.253.1569 | wensco.com



Plasticade.com

## Sign Sizing Guide

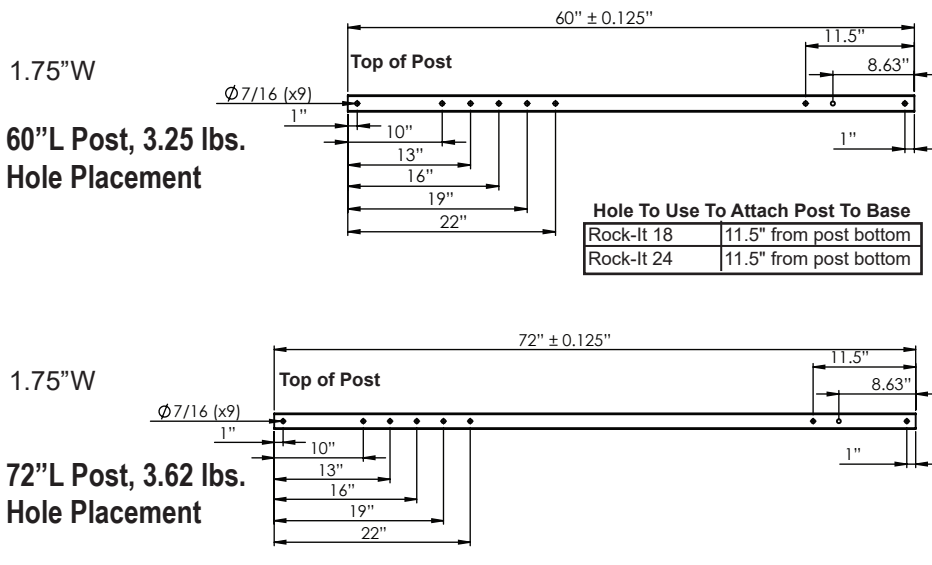
Rock-It 18: use with signs 24" x 24" or smaller  
*recommendation based on ballast of 125 lbs.*

Rock-It 24: use with signs 26"W x 38"H or smaller  
*recommendation based on ballast of 200 lbs.*

## Hardware Provided:

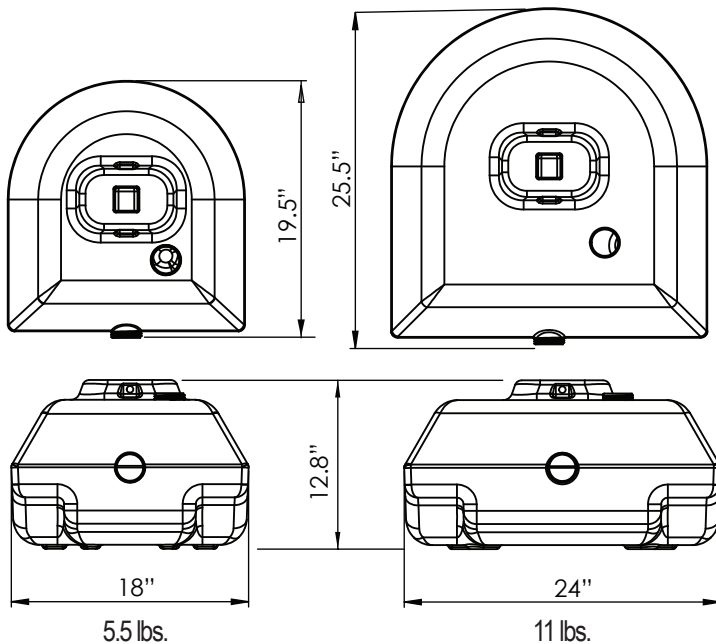
- 1 ea. Hex Bolt Zinc 3/8 x 5, to secure post to base
- 2 ea. Hex Bolt Zinc 3/8 x 2-1/2, to secure sign
- 2 ea. Washer 3/8
- 3 ea. Locknut 3/8-16
- 1 ea. Black Vinyl Cap for top of post

## Two Post Lengths: 60" and 72"



Post Size	60"	72"
	Installed Height	
Rock-It 18	60.6"H	* 72.6"H
Rock-It 24	60.6"H	72.6"H

\* 72" post is not recommended for the Rock-It 18



**ROCK-IT™ 18**

**ROCK-IT™ 24**

## Fill Base With Silica Sand:

Rock-It 18: fill base with 125-150 lbs. of sand  
 Rock-It 24: fill base with 150-250 lbs. of sand  
*filling base with water is not recommended*



800.253.1569 | wensco.com

**PLASTICADE®**

100 Howard Avenue  
 Des Plaines, IL 60018  
 phone (800) 772-0355  
 info@plasticade.com

[Plasticade.com](http://Plasticade.com)

MADE IN THE USA